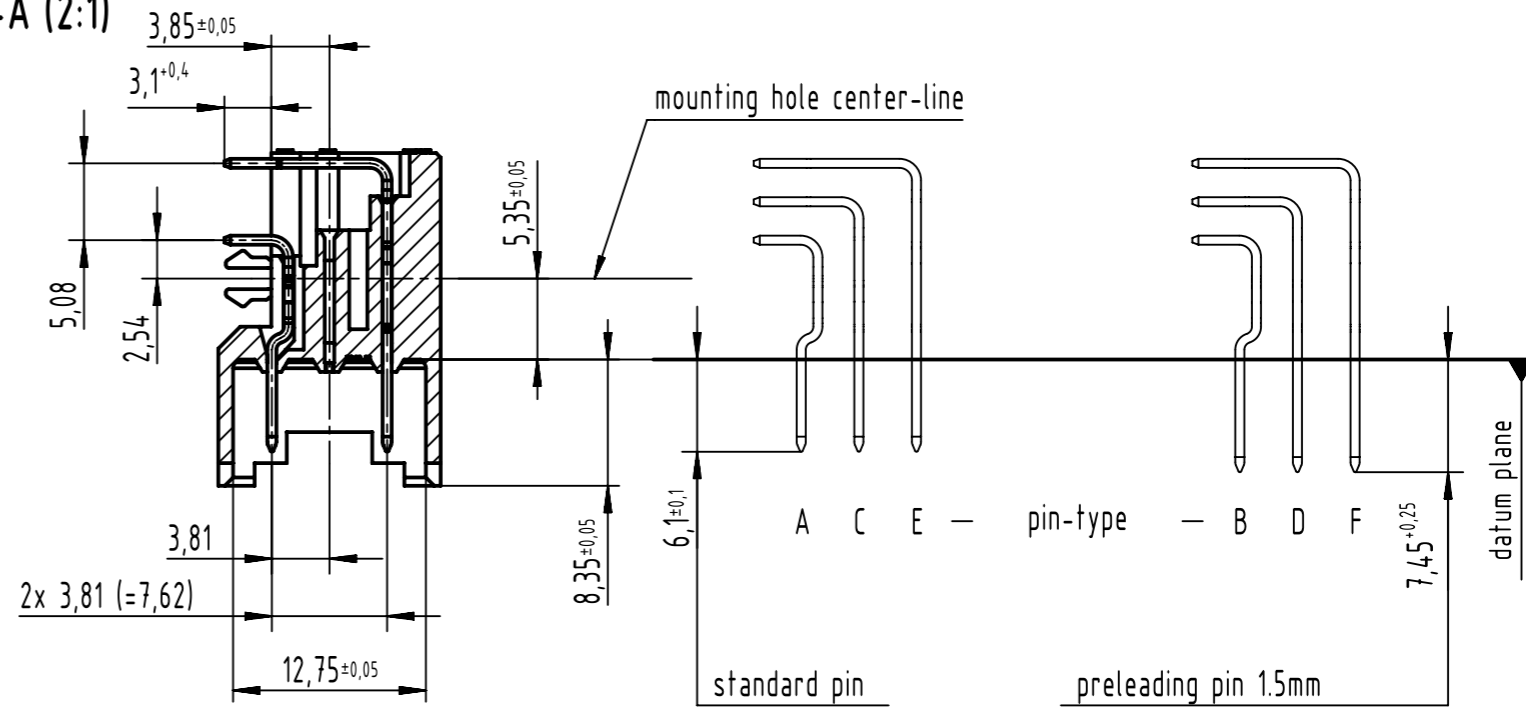
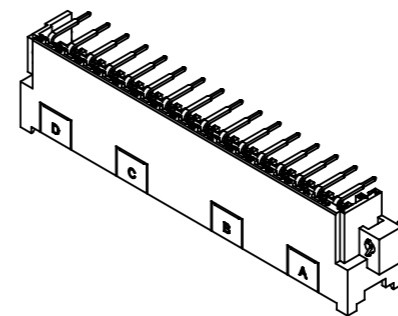
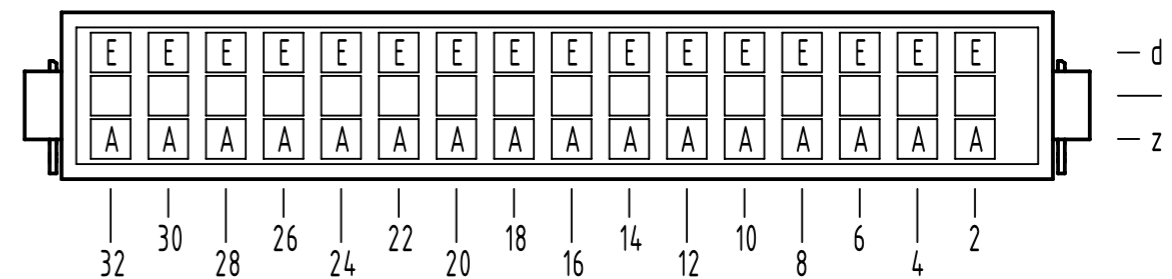


A-A (2:1)



C
contact loading



further information see product data sheet

09 06 332 6931	2
09 06 332 2931	1
part no.	performance level

All rights reserved Department EL PD HARTING D-32339 Espelkamp	All Dimensions in mm Original Size DIN A3	Scale 1:1	Free size tol. IEC 60603-2	Ref. Sub. TB 09 06 332 x931 / Mod. 35260 / 09.09.2008
	Created by STORCK	Inspected by LEHNERT	Standardisation 302077	Date 2021-04-13
Title DIN Power type F male solder angl 5.08 32-pole clip				Doc-Key / ECM-Nr. 100180101/UGD/200/C 500000191610
Type TB		Number 0906332X931		Rev. C Page 1/1